

Figure 8-Base and Table Assembly

Part No	Item	Code
001	Base	1802 3001
002	Main Table	1802 3002
003	Washer	1802 3003
004	Bolt	M12 x 25 mm
005	Pivot Stud	1802 3004
006	Left Hand Fence	1802 3005
007	Right Hand Fence	1802 3006
008	Fence Nut	1802 3007
009	Washer	M10
010	Fence Handle	23021008
011	Fence Guard	1802 3008
012	Screw	M6 x 12 mm
013	Measuring Table	1802 3009
014	Locating Pins	6mm x 25 mm
015	Bolt	M12 x 40 mm
016	Short Extrusion/Rule	1802 3010
017	Screw	M6 x 10 mm
018	Long Extrusion/Rule	1802 3011
019	Locating Pin	4 mm x 10mm
020	Sliding Block	1802 3012
021	Spring	1802 3013
022	Locking Knob	1802 3032
023	Stop/Vernier Rule	1802 3014
024	Extension Table (SMM & SMI)	1802 3015
025	Locating Pin	8 mm x 20 mm
026	Bolt	M6 x 25 mm
027	Floor Support (SMM & SMI)	1802 3016
028	Washer	M6
029	Floor Stop (SMM & SMI)	18023041
030	Waste Chute	1802 3017
031	Length Plate (SMM & SMI)	1802 3018
032	Length Plate (SMM & SMI)	1802 3019
033	Length Plate (SMM & SMI)	1802 3020
034	Scale for mitre angle	1802 3021
035	Scale for mitre angle	1802 3022
036	Rivet	Ø 3 mm
037	Rebate Scale	1802 3023
038	Length Scale	1802 3024
039	Length Scale	1802 3025
040	Length Scale	1802 3029
041	Length Scale	1802 3030
042	Support Bar	1802 3031
043	Circlip	ETW12
044	Nut	M8
045	Transport Pin	1804 1015

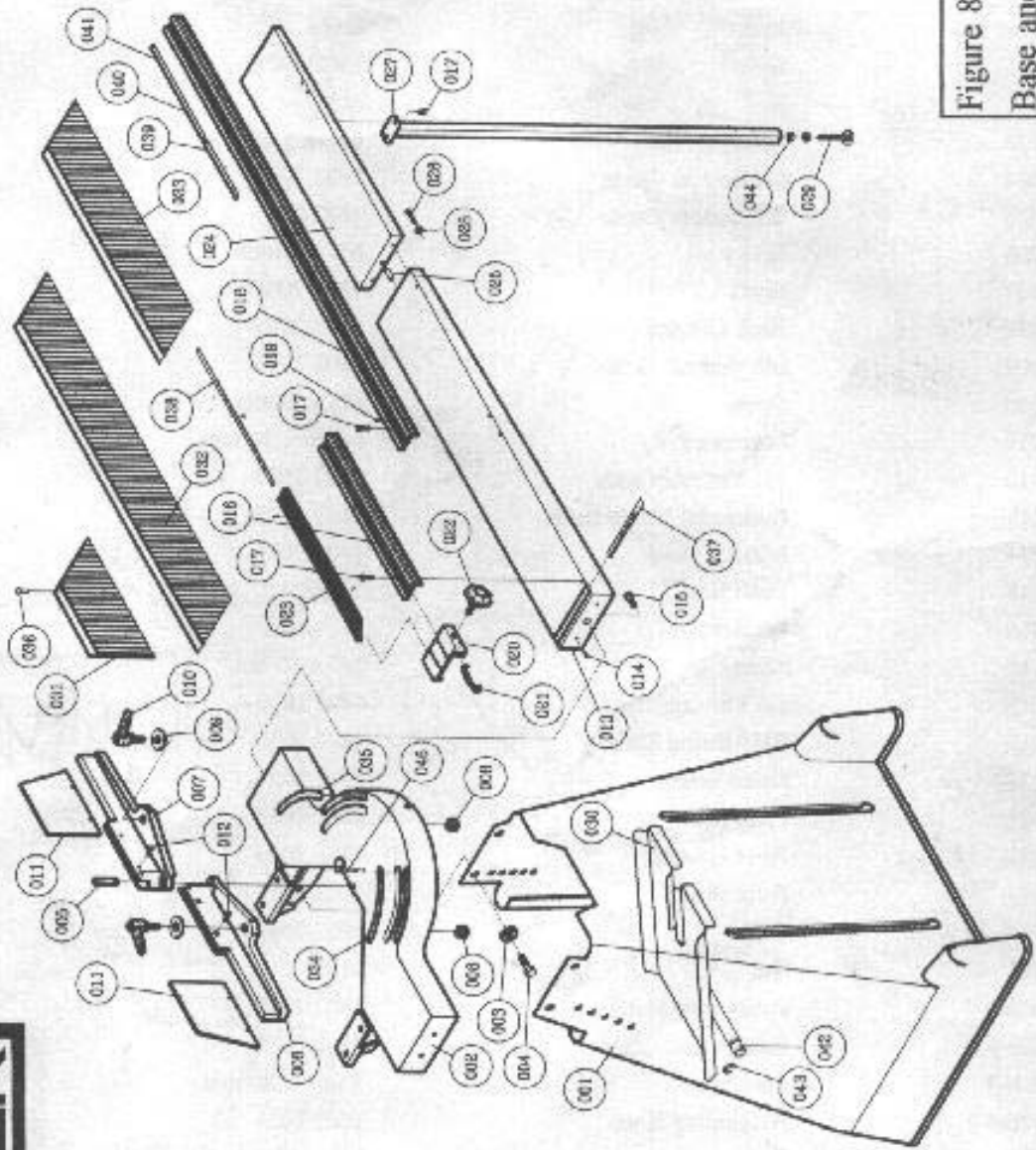


Figure 8
Base and Table Assembly

Figure 9-Mitring Head Assembly

Part No	Item	Code
001	Base	1802 2001
002	Nut	M12
003	Locating Pin	6 mm x 30 mm
004	LH Bottom Guide	1802 2002
005	RH Bottom Guide	1802 2003
006	Screw	M6 x 16mm
007	Stud	1802 2004
008	Back Column	1802 2005
009	LH Vertical Guide	1802 2006
010	Screw	M6 x 20mm
011	Locating Pin	6 mm x 20 mm
012	RH Vertical Guide	1802 2007
013	Horizontal Guide Strip	1802 2008
014	Mitring Head	1802 2009
015	Pivot Bar	1802 2026
016	Washer	Ø 8.3 mm
017	Screw	M6 x 20 mm
018	LH Mitring Blade	1802 2012
019	RH Mitring Blade	1802 2013
020	Knife Screw	1802 2014
021	Pivot Link	1802 2015
022	Pivot Housing	1802 2016
023	Pivot Bush	1802 2017
024	Stud	1802 2018
025	Nut	M10
026-1	Positioning Handle	1802 2019
026-2	Handle Connector	1802 2020
026-3	Split Pin	3 mm x 20 mm
026-4	Positioning Knob	1802 2021
027	Screw	M6 x 25 mm
028	Nut	M6
029	Positioning Bracket	1802 2022
030	Screw	M6 x 25 mm
031	Top Pivot Block	1802 2010
032	Connecting Rod	1802 2011
033	Knob	1802 2023
034	Blade Guard	1802 2024/25
035	Circlip	ETW8

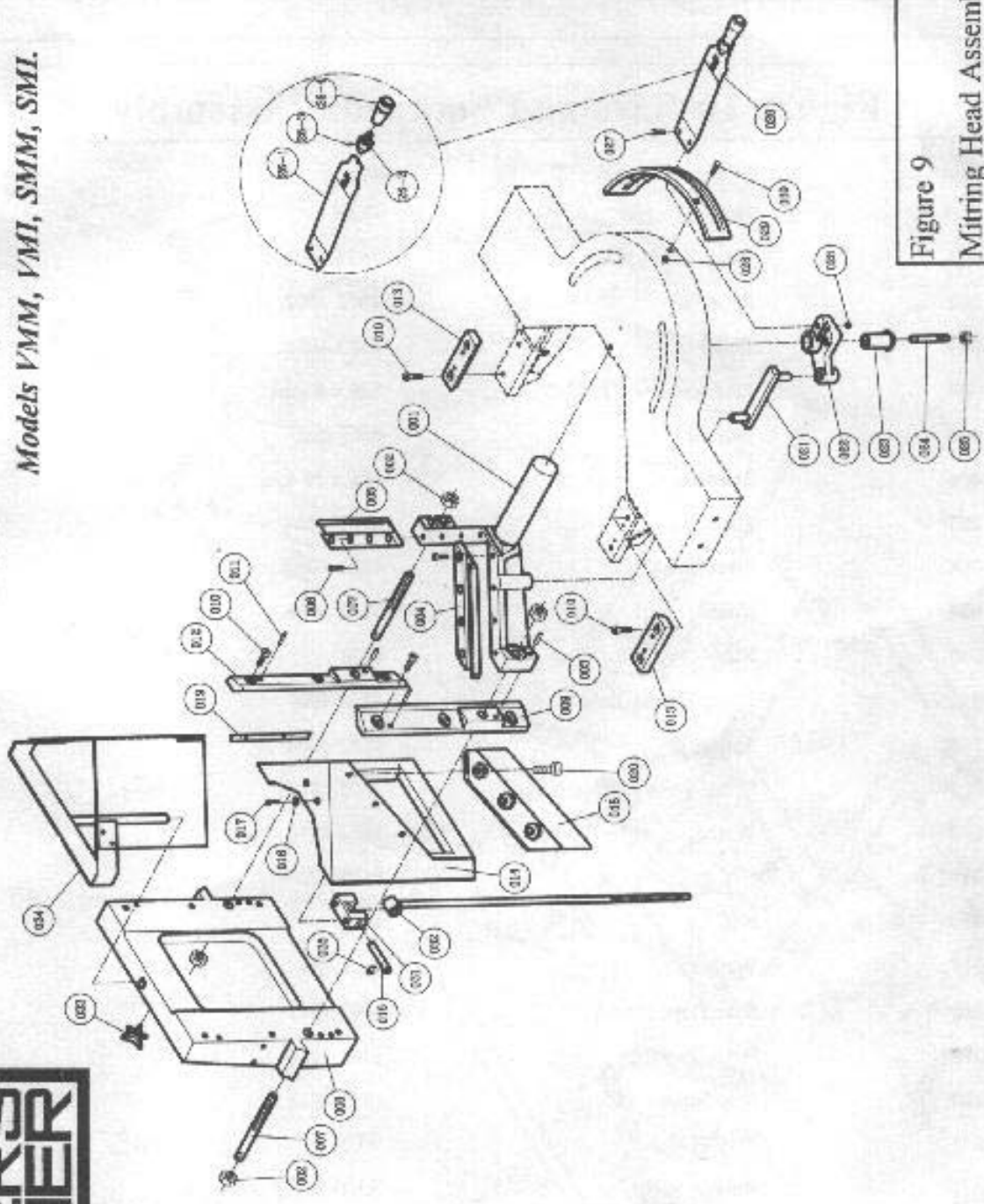


Figure 9
Mitring Head Assembly

Figure 10-Base and Footpedal Assembly

Part No	Item	Code
001	Footpedal Bracket	1802 4001
002	Pivot Bar	1802 4002
003	Collar	1802 4003
004	Grubscrew	M6 x 8 mm
005	Washer	Ø 8.3 mm
006	Screw	M8 x 16 mm
007	Footpedal	1802 4004
008	Pivot Screw	1802 4005
009	Yoke	1802 4006
010	Nut	M10
011	Lower Spring Holder	1802 4007
012	Spring	1802 4008
013	Upper Spring Holder	1802 4009
014	Washer	1802 4010
015	Nut	M10
016	Nut	M12
017	Washer	Ø 13 mm
018	Rear Stop	1802 4011
019	Front Stop	1802 4012
020	Stop Screw	1802 4013
021	Washer	M10
022	Rubber stop	33015023
023	Screw	M5 x 12 mm

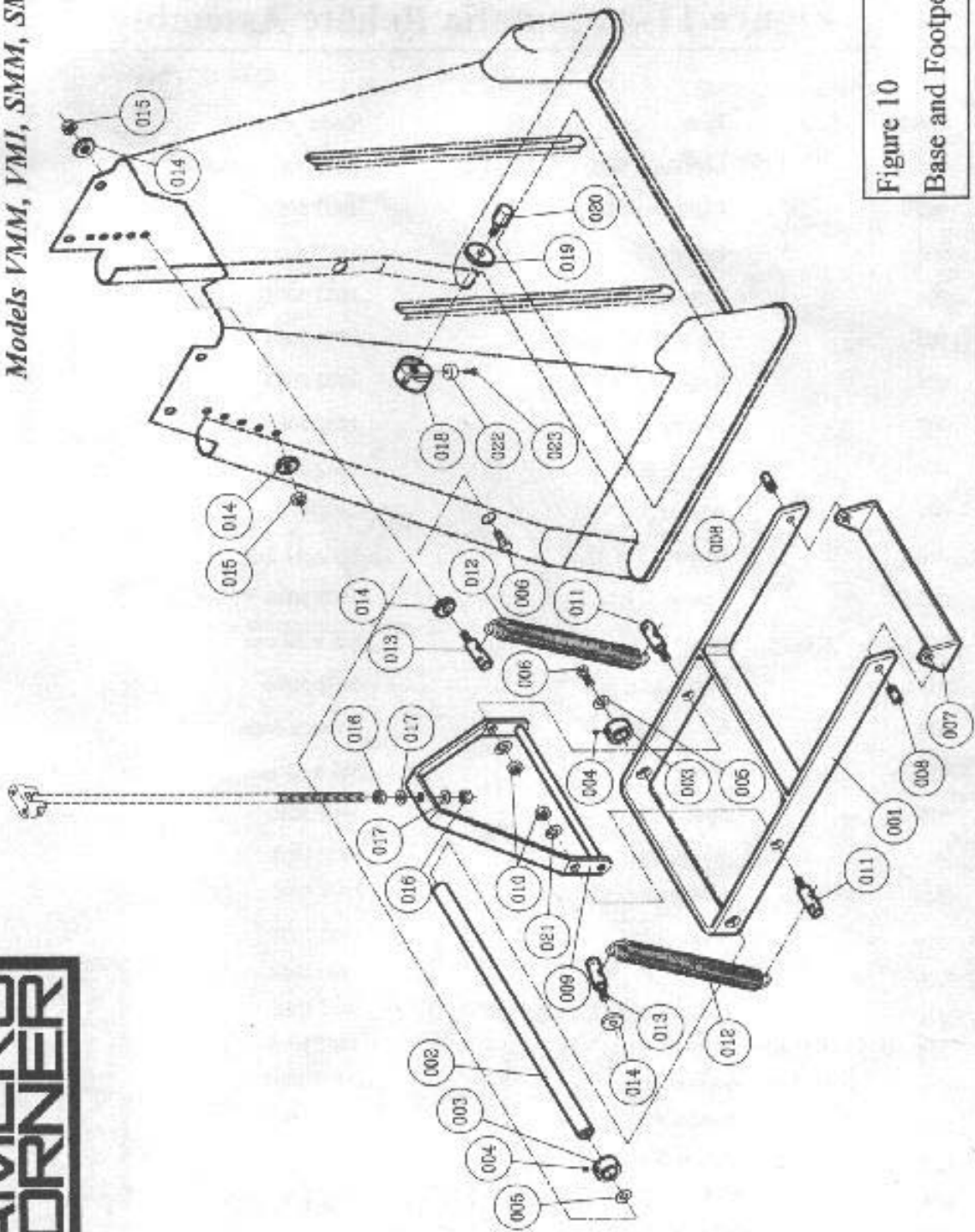


Figure 10
Base and Footpedal Assembly

Figure 11-Automatic Rebate Assembly

Part No	Item	Code
001	Left Hand Slide	1802 5001
002	Right Hand Slide	1802 5002
003	Screw	M5 x 8 mm
004	Left Hand Base	1802 5003
005	Right Hand Base	1802 5004
006	Knob	1802 2023
007	Spindle	1802 5005
008	Sliding Bush	1802 5006
009	Washer	1802 5007
010	Screw	M4 x 12 mm
011	Spacer	1802 5008
012	Screw	M8 x 30 mm
013	Connecting Rod	1802 5009
014	Locating Pin	2 mm x 8mm
015	Screw	M6 x 35 mm
016	Spacer	1802 5010
017	Knurled nut	1802 1001
018	Knurled nut	1802 1002
019	Shaft Screw	1802 1003
020	Holder , Right	1802 1004
021	Holder , Left	1802 1005
022	Rebate Support , Right	1802 1006
023	Rebate Support , Left	1802 1007
024	Bottom Shde , Right	1802 1008
025	Bottom Slide , Left	1802 1009
026	Rivet	3 mm
027	Screw	M6 x 20mm

*Instruction Manual for FRAMER Mitre Guillotine
Models VMM, VMI, SMM, SMI.*

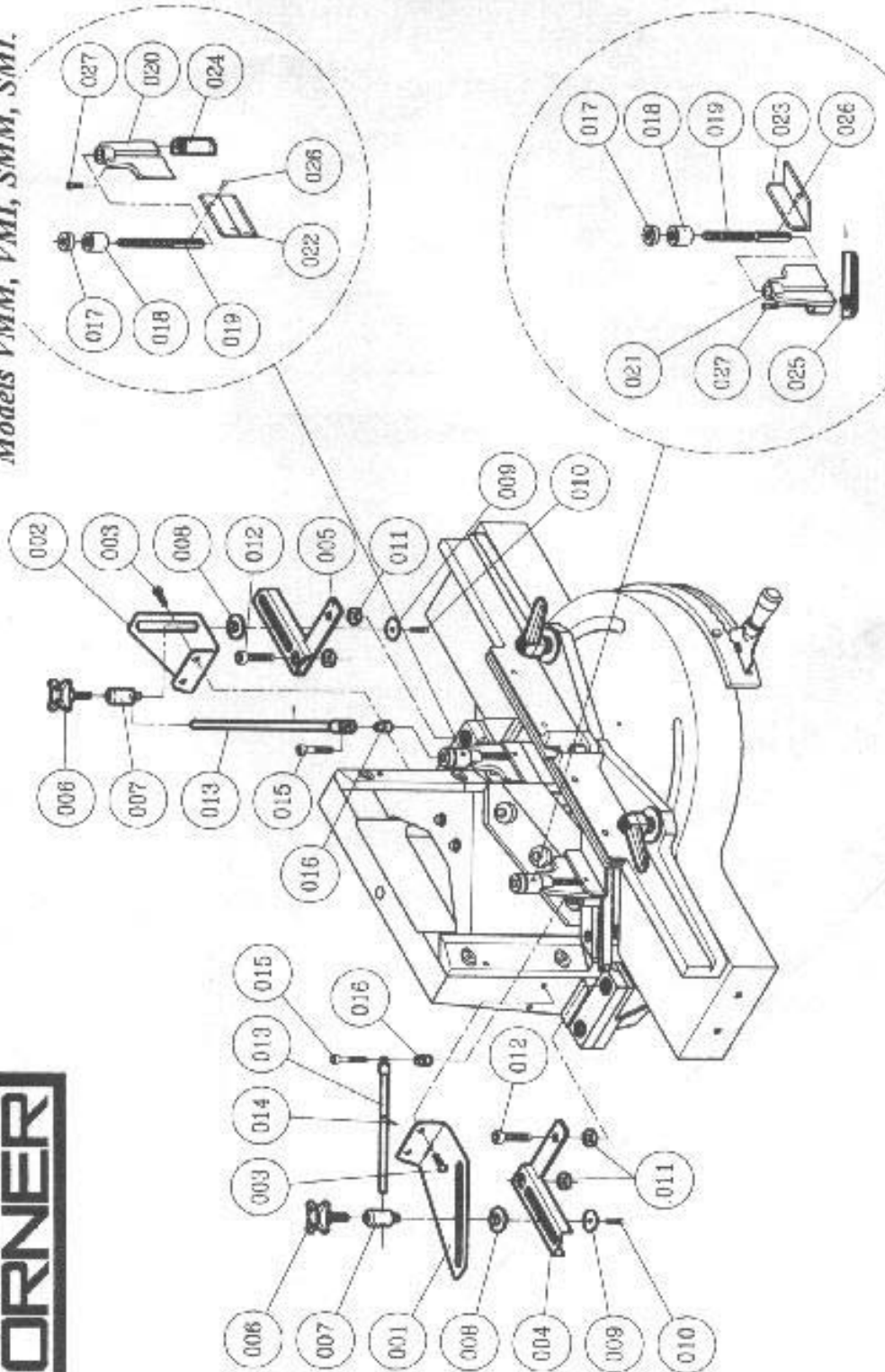


Figure 11
Automatic Rebate Support Assembly